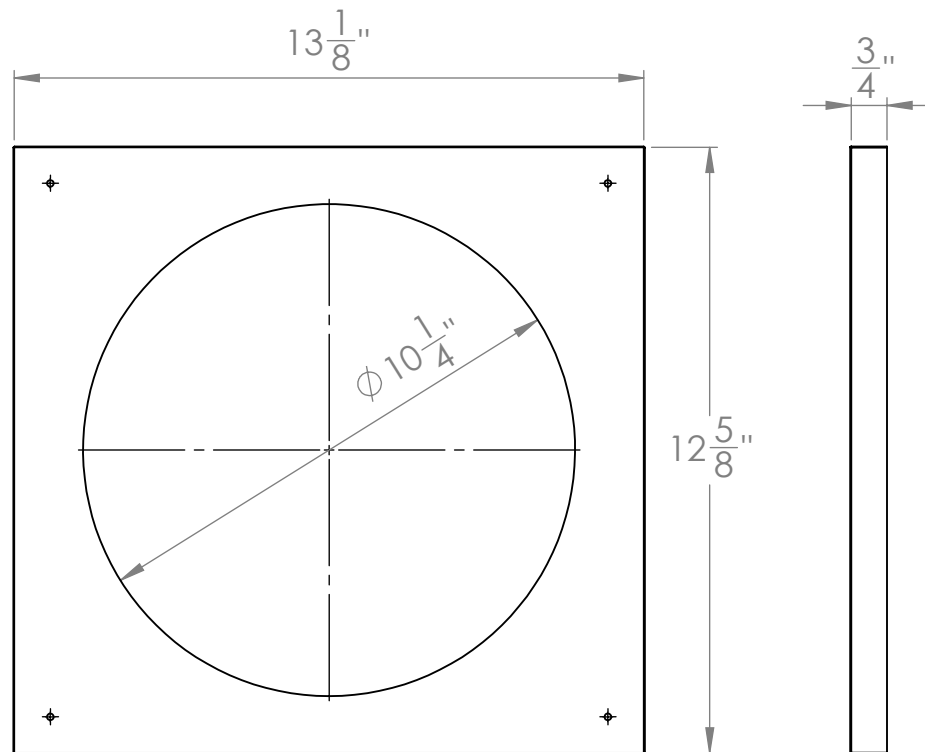
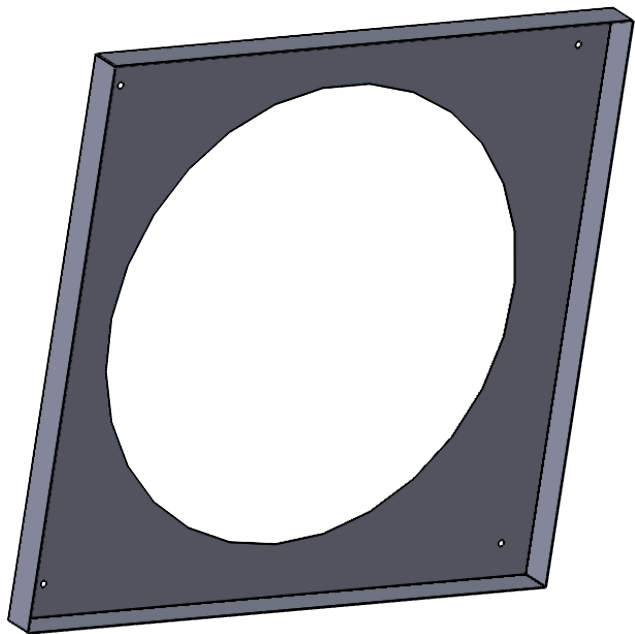


2

1


B

B



A

A

			UNLESS OTHERWISE SPECIFIED:		NAME	DATE	FAMCO	
			DIMENSIONS ARE IN INCHES		DRAWN	Alex Herrington	4/9/2020	649 N RALSTIN ST. MERIDIAN, ID 83642
			TOLERANCES:		CHECKED			TITLE:
			FRACTIONAL ± .125		ENG APPR.	Alex Herrington	4/9/2020	SR10
		ANGLES ± 1°		MFG APPR.				
		TWO PLACE DECIMAL ± .01		Q.A.				
		THREE PLACE DECIMAL ± .005		COMMENTS:				
		FOUR PLACE DECIMAL ± .001						
		INTERPRET GEOMETRIC TOLERANCING PER:						
		MATERIAL 28GA.					SIZE DWG. NO. REV	
		FINISH GALV.					A SR	
NEXT ASSY	USED ON						SCALE: 1:4 WEIGHT: SHEET 1 OF 11	
APPLICATION			DO NOT SCALE DRAWING					

2

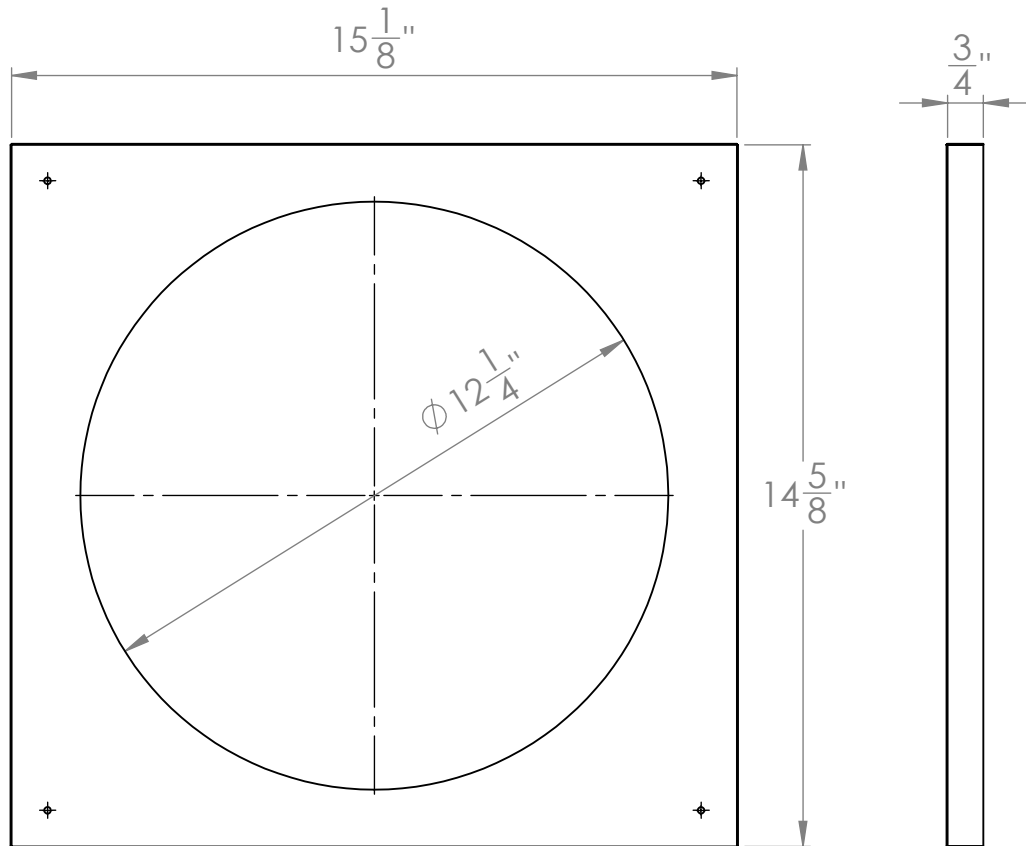
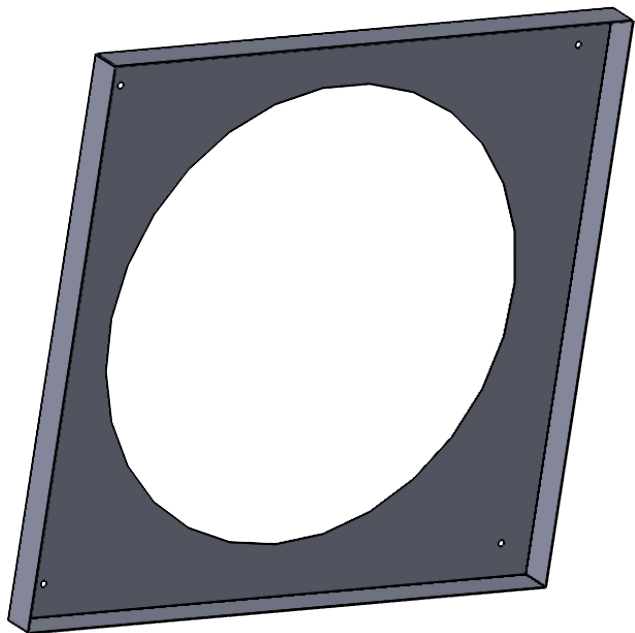
1

2

1


B

B



A

A

 <p>PROPRIETARY AND CONFIDENTIAL THE INFORMATION CONTAINED IN THIS DRAWING IS THE SOLE PROPERTY OF FAMCO. ANY REPRODUCTION IN PART OR AS A WHOLE WITHOUT THE WRITTEN PERMISSION OF FAMCO IS PROHIBITED.</p>			UNLESS OTHERWISE SPECIFIED: DIMENSIONS ARE IN INCHES TOLERANCES: FRACTIONAL ± .125 ANGLES ± 1° TWO PLACE DECIMAL ± .01 THREE PLACE DECIMAL ± .005 FOUR PLACE DECIMAL ± .001	NAME	DATE	FAMCO 649 N RALSTIN ST. MERIDIAN, ID 83642			
			INTERPRET GEOMETRIC TOLERANCING PER:	DRAWN	Alex Herrington	4/9/2020	TITLE: SR12		
			MATERIAL 28GA.	CHECKED					
			FINISH GALV.	ENG APPR.	Alex Herrington	4/9/2020			
	NEXT ASSY	USED ON		COMMENTS:	MFG APPR.			SIZE A	DWG. NO. SR
APPLICATION		DO NOT SCALE DRAWING					SCALE: 1:4	WEIGHT:	SHEET 2 OF 11

2

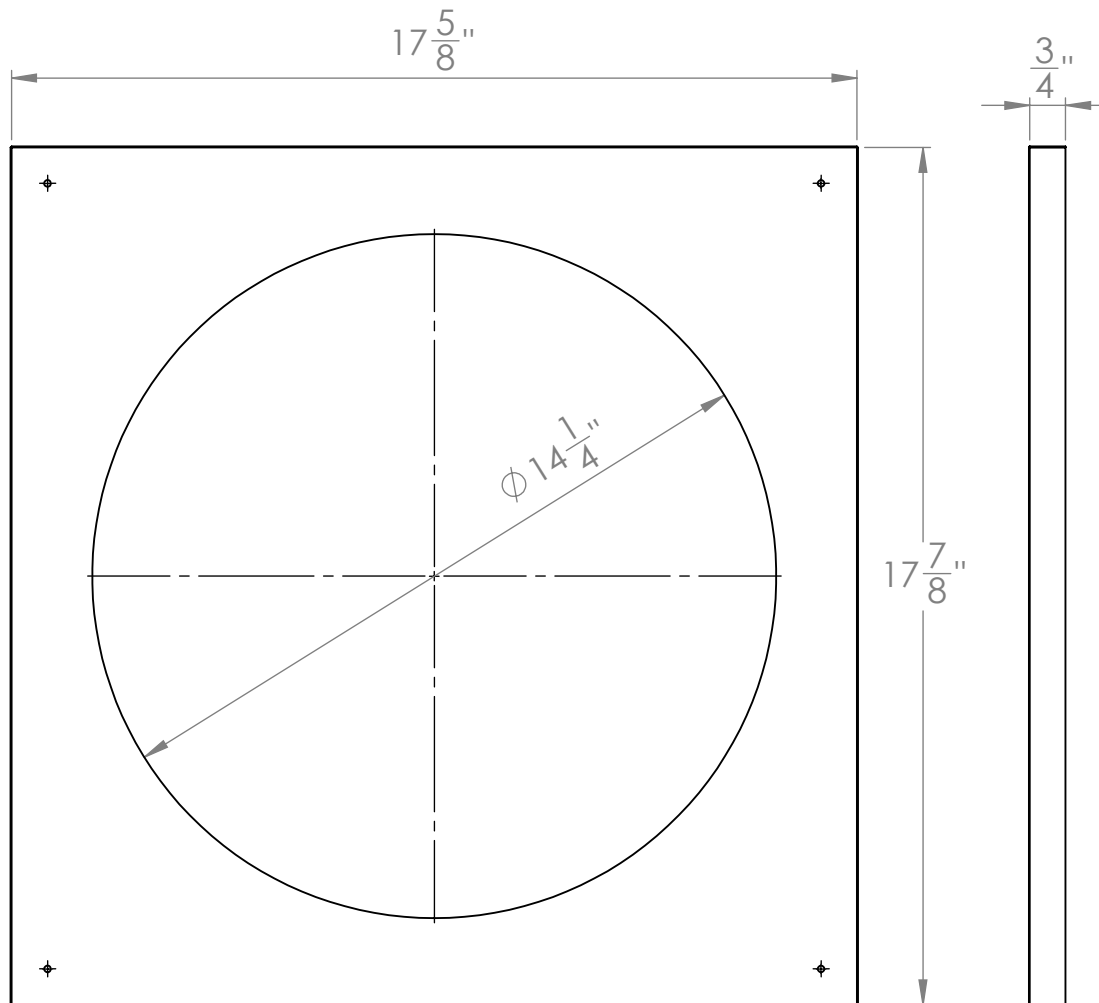
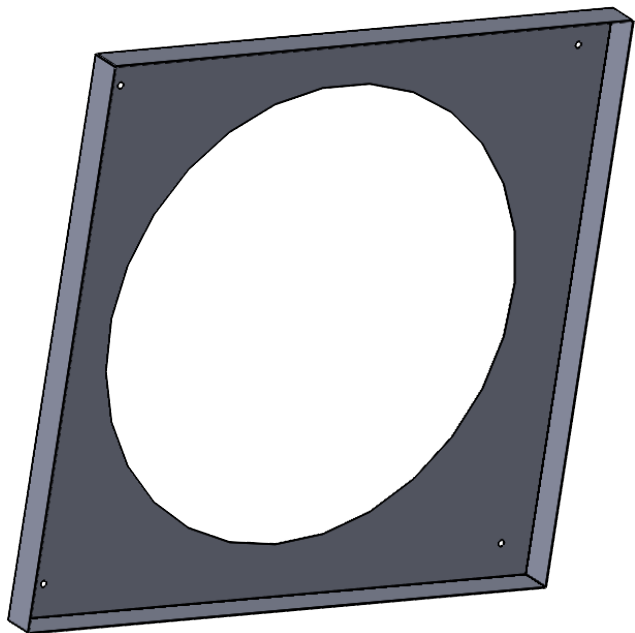
1

2

1

B

B



A

A



PROPRIETARY AND CONFIDENTIAL
 THE INFORMATION CONTAINED IN THIS DRAWING IS THE SOLE PROPERTY OF FAMCO. ANY REPRODUCTION IN PART OR AS A WHOLE WITHOUT THE WRITTEN PERMISSION OF FAMCO IS PROHIBITED.

		UNLESS OTHERWISE SPECIFIED:		NAME	DATE
		DIMENSIONS ARE IN INCHES	DRAWN	Alex Herrington	4/9/2020
		TOLERANCES:	CHECKED		
		FRACTIONAL ± .125	ENG APPR.	Alex Herrington	4/9/2020
		ANGLES ± 1°	MFG APPR.		
		TWO PLACE DECIMAL ± .01	Q.A.		
		THREE PLACE DECIMAL ± .005	COMMENTS:		
		FOUR PLACE DECIMAL ± .001			
		INTERPRET GEOMETRIC TOLERANCING PER:			
		MATERIAL 28GA.			
		FINISH GALV.			
NEXT ASSY	USED ON				
APPLICATION		DO NOT SCALE DRAWING			

FAMCO 649 N RALSTIN ST. MERIDIAN, ID 83642		
TITLE: SR14		
SIZE A	DWG. NO. SR	REV
SCALE: 1:4	WEIGHT:	SHEET 3 OF 11

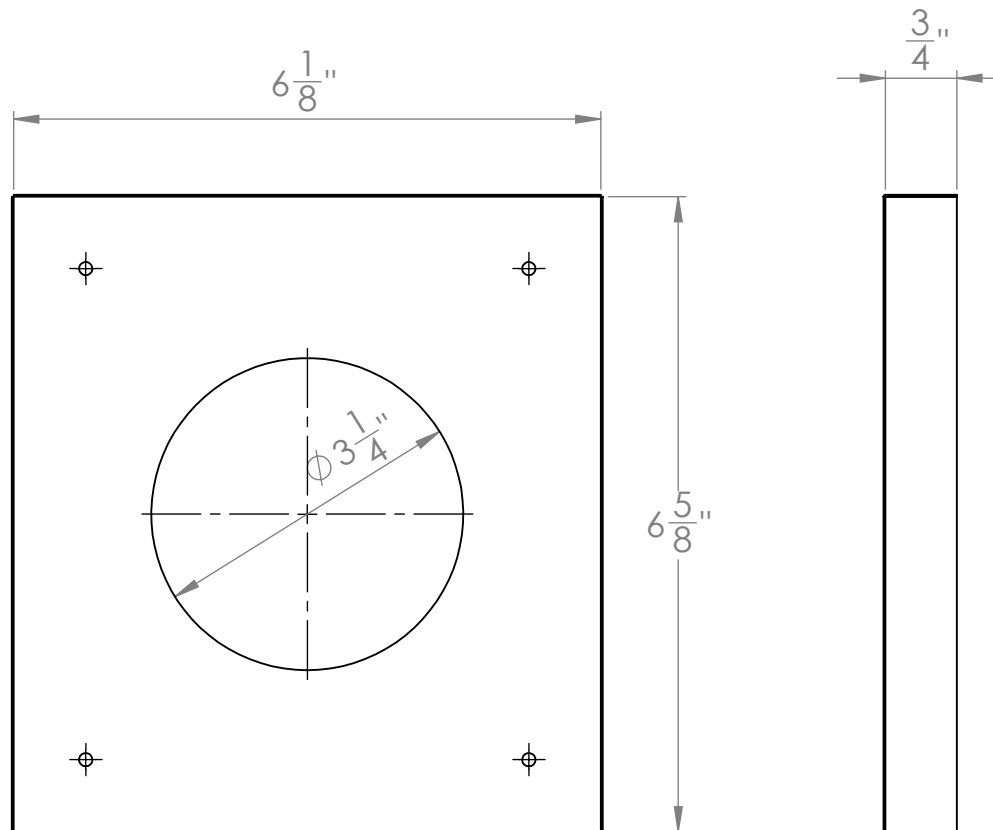
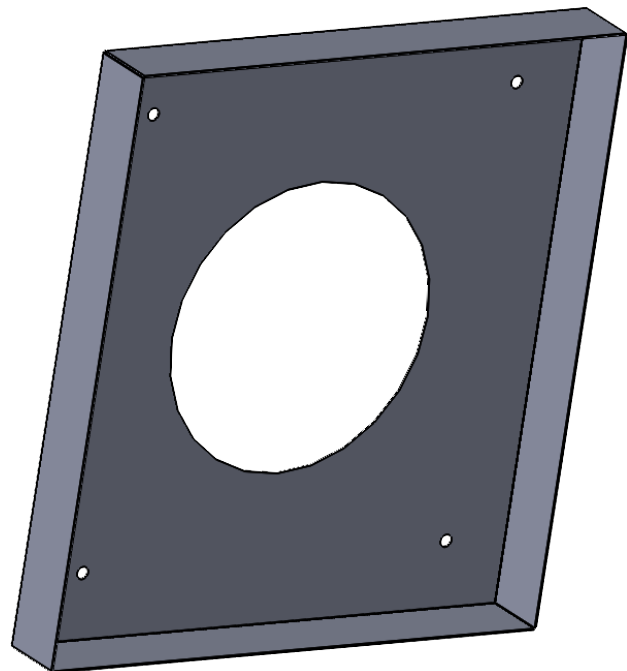
2

1

2

1


B



B

A

A

			UNLESS OTHERWISE SPECIFIED:		NAME	DATE	FAMCO	
			DIMENSIONS ARE IN INCHES	DRAWN	Alex Herrington	4/9/2020	649 N RALSTIN ST. MERIDIAN, ID 83642	
			TOLERANCES:	CHECKED			TITLE:	
			FRACTIONAL ± .125	ENG APPR.	Alex Herrington	4/9/2020	SR3	
		ANGLES ± 1°	MFG APPR.					
		TWO PLACE DECIMAL ± .01	Q.A.					
		THREE PLACE DECIMAL ± .005	COMMENTS:					
		FOUR PLACE DECIMAL ± .001						
		INTERPRET GEOMETRIC TOLERANCING PER:						
		MATERIAL 28GA.						
		FINISH GALV.						
NEXT ASSY		USED ON		SIZE A		DWG. NO. SR		REV
APPLICATION		DO NOT SCALE DRAWING		SCALE: 1:2		WEIGHT:		SHEET 4 OF 11

2

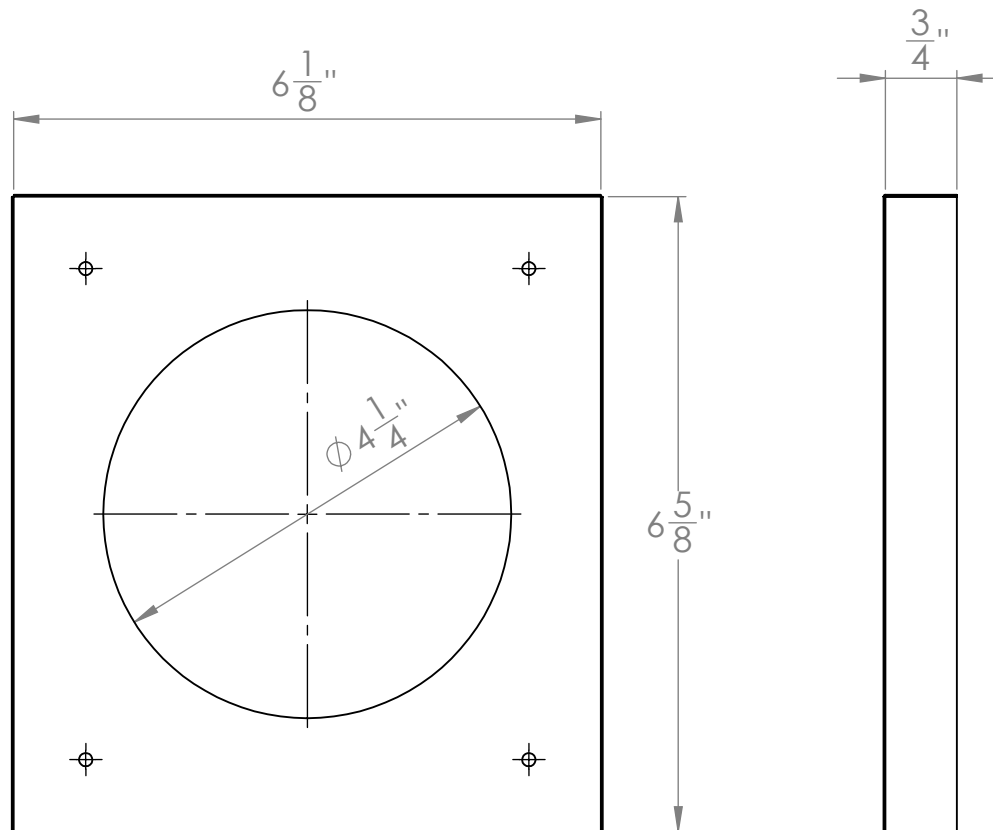
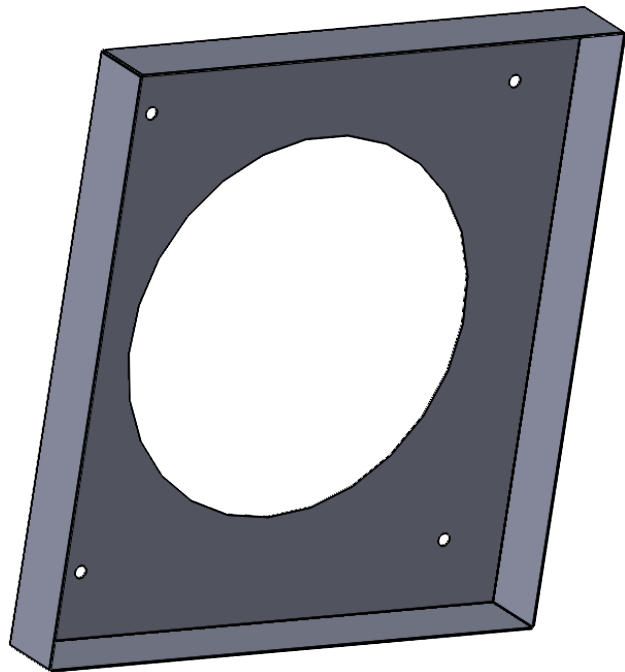
1

2

1


B

B



A

A

			UNLESS OTHERWISE SPECIFIED:		NAME	DATE	FAMCO		
			DIMENSIONS ARE IN INCHES		DRAWN	Alex Herrington	4/9/2020	649 N RALSTIN ST. MERIDIAN, ID 83642	
<p>PROPRIETARY AND CONFIDENTIAL</p> <p>THE INFORMATION CONTAINED IN THIS DRAWING IS THE SOLE PROPERTY OF FAMCO. ANY REPRODUCTION IN PART OR AS A WHOLE WITHOUT THE WRITTEN PERMISSION OF FAMCO IS PROHIBITED.</p>			TOLERANCES:		CHECKED		TITLE:		
			FRACTIONAL ± .125		ENG APPR.	Alex Herrington	4/9/2020	SR4	
			ANGLES ± 1°		MFG APPR.			SIZE	
			TWO PLACE DECIMAL ± .01		Q.A.			DWG. NO.	
			THREE PLACE DECIMAL ± .005		COMMENTS:				SR
		FOUR PLACE DECIMAL ± .001						REV	
		INTERPRET GEOMETRIC TOLERANCING PER:						SCALE: 1:2	
		MATERIAL 28GA.						WEIGHT:	
		FINISH GALV.						SHEET 5 OF 11	
NEXT ASSY		USED ON							
APPLICATION			DO NOT SCALE DRAWING						

2

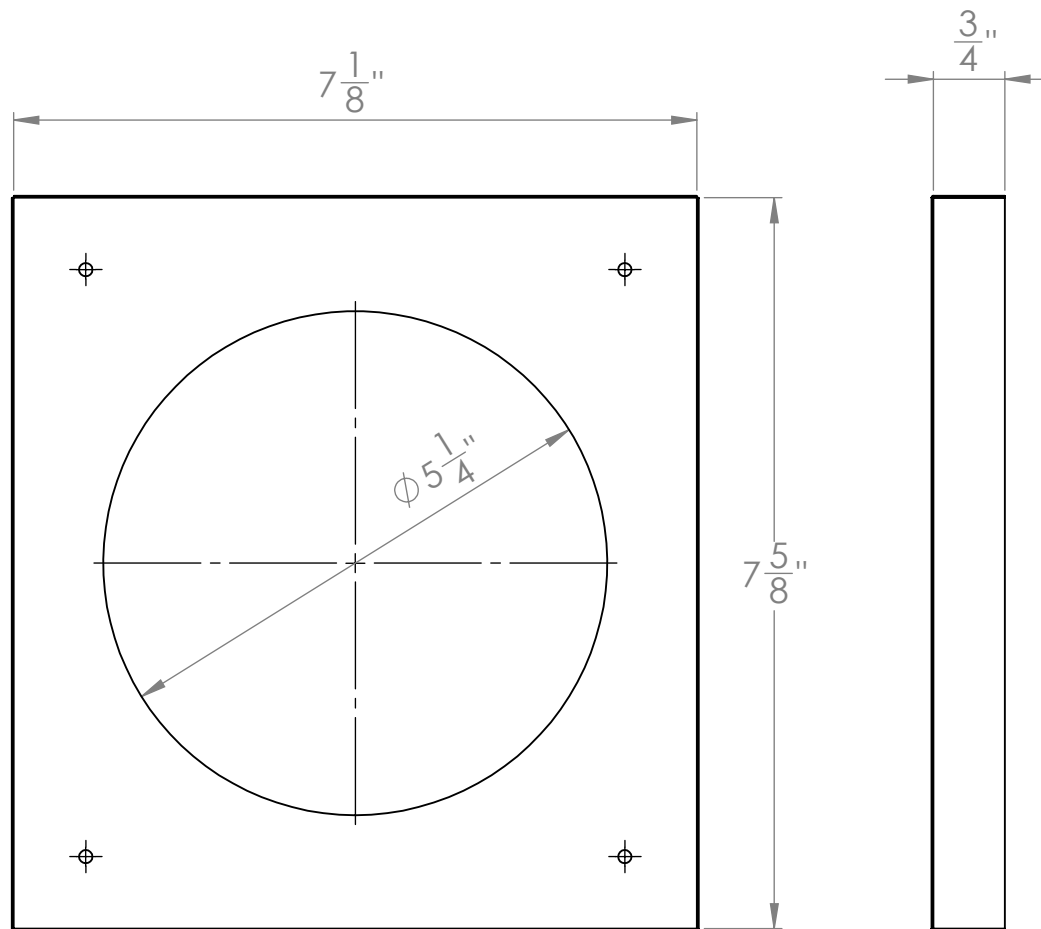
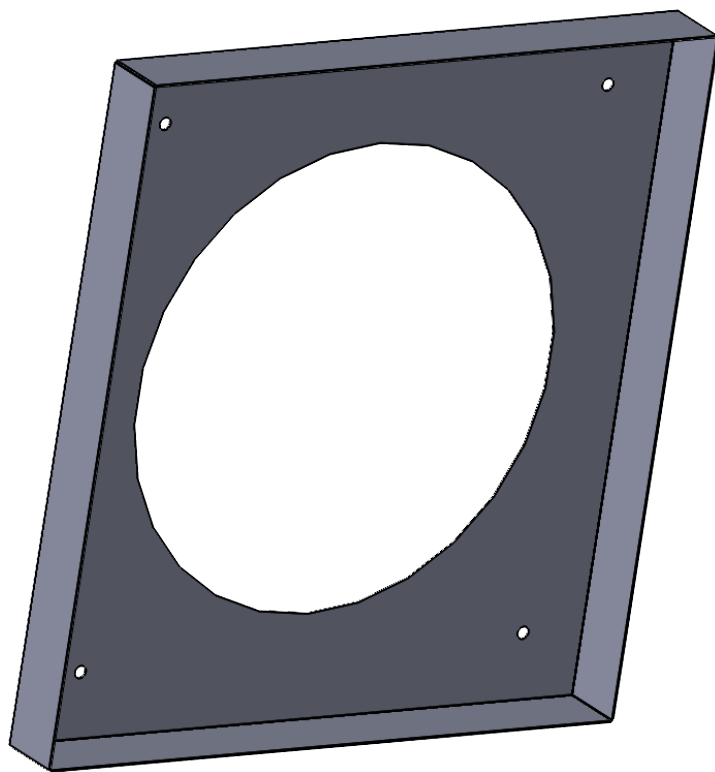
1

2

1

B

B



A

A



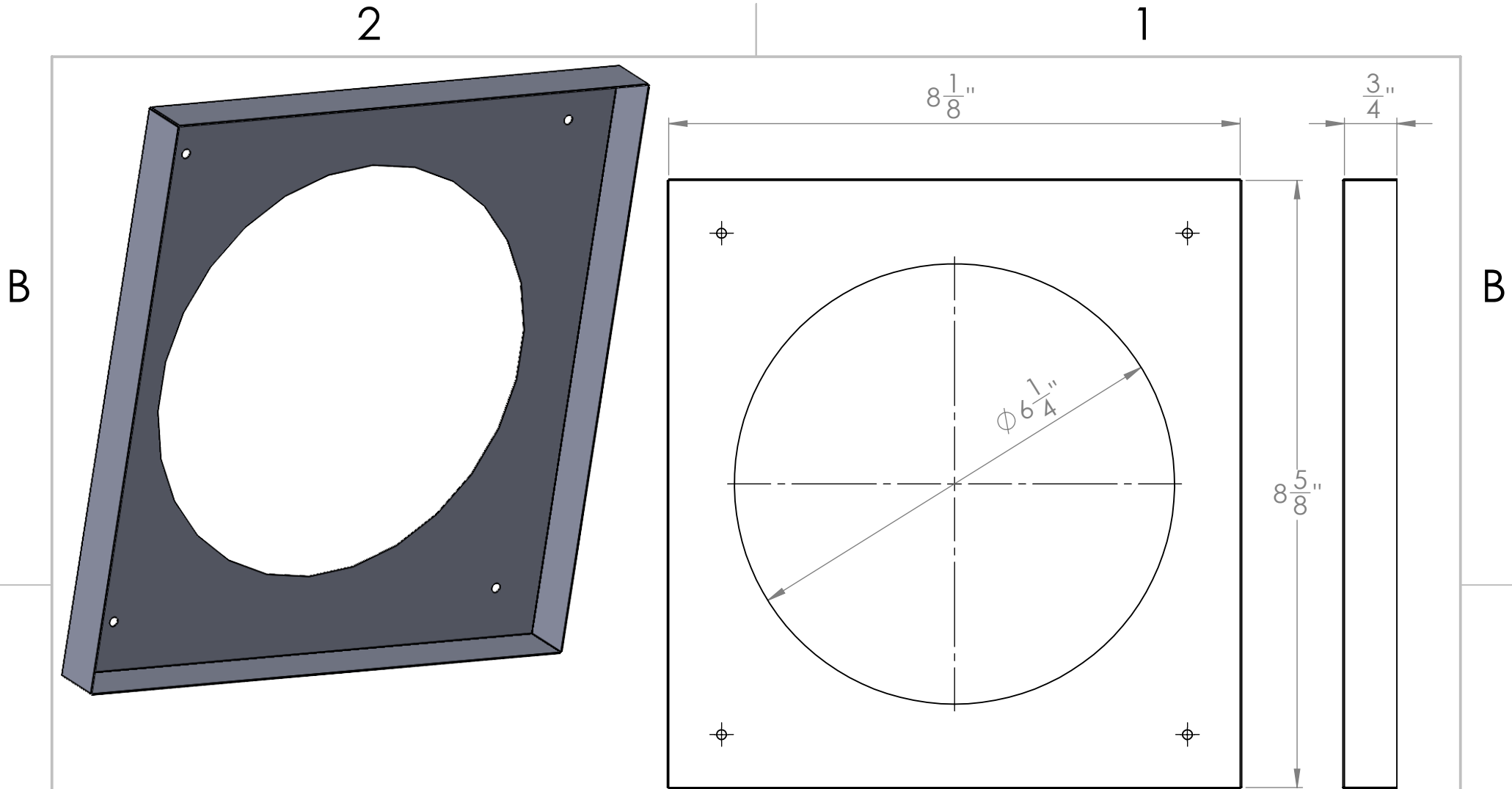
PROPRIETARY AND CONFIDENTIAL
 THE INFORMATION CONTAINED IN THIS DRAWING IS THE SOLE PROPERTY OF FAMCO. ANY REPRODUCTION IN PART OR AS A WHOLE WITHOUT THE WRITTEN PERMISSION OF FAMCO IS PROHIBITED.

		UNLESS OTHERWISE SPECIFIED:		NAME	DATE
		DIMENSIONS ARE IN INCHES	DRAWN	Alex Herrington	4/9/2020
		TOLERANCES:	CHECKED		
		FRACTIONAL ± .125	ENG APPR.	Alex Herrington	4/9/2020
		ANGLES ± 1°	MFG APPR.		
		TWO PLACE DECIMAL ± .01	Q.A.		
		THREE PLACE DECIMAL ± .005	COMMENTS:		
		FOUR PLACE DECIMAL ± .001			
		INTERPRET GEOMETRIC TOLERANCING PER:			
		MATERIAL 28GA.			
		FINISH GALV.			
NEXT ASSY	USED ON				
APPLICATION		DO NOT SCALE DRAWING			

FAMCO 649 N RALSTIN ST. MERIDIAN, ID 83642		
TITLE: SR5		
SIZE A	DWG. NO. SR	REV
SCALE: 1:2	WEIGHT:	SHEET 6 OF 11


2

1



A

A

			UNLESS OTHERWISE SPECIFIED:		NAME	DATE	FAMCO		
			DIMENSIONS ARE IN INCHES	DRAWN	Alex Herrington	4/9/2020	649 N RALSTIN ST. MERIDIAN, ID 83642		
			TOLERANCES:	CHECKED			TITLE:		
			FRACTIONAL ± .125	ENG APPR.	Alex Herrington	4/9/2020	SR6		
		ANGLES ± 1°	MFG APPR.			SIZE			
		TWO PLACE DECIMAL ± .01	Q.A.			DWG. NO.		REV	
		THREE PLACE DECIMAL ± .005	COMMENTS:			SR			
		FOUR PLACE DECIMAL ± .001				SCALE: 1:2		WEIGHT:	
		INTERPRET GEOMETRIC TOLERANCING PER:				SHEET 7 OF 11			
		MATERIAL 28GA.							
		FINISH GALV.							
NEXT ASSY		USED ON							
APPLICATION			DO NOT SCALE DRAWING						

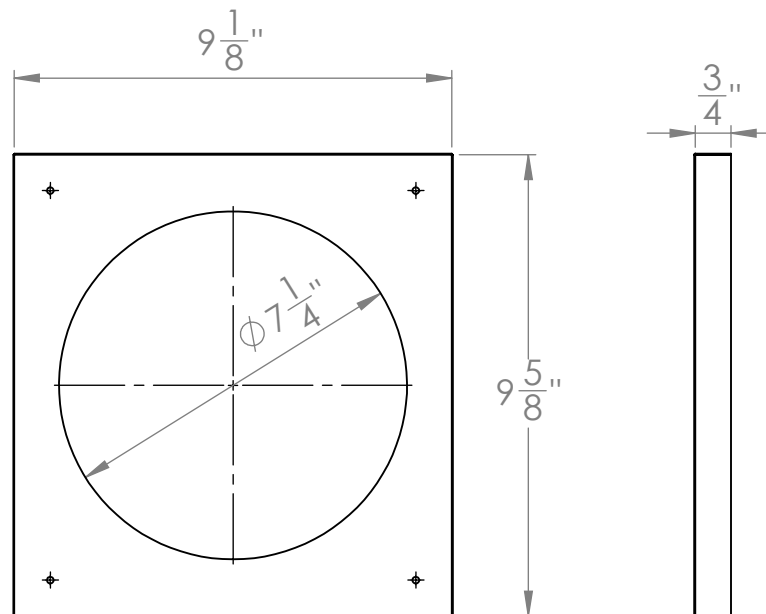
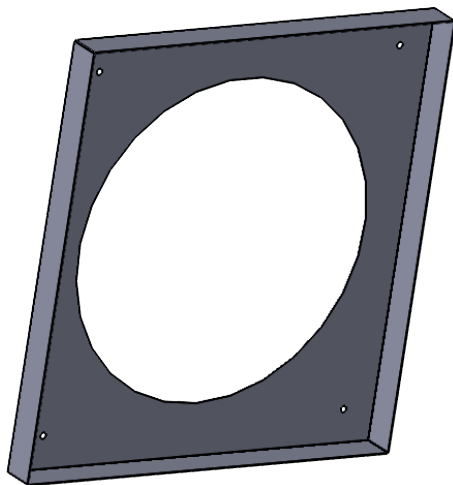
2

1

2

1


B



B

A

A

			UNLESS OTHERWISE SPECIFIED:		NAME	DATE	FAMCO	
			DIMENSIONS ARE IN INCHES	DRAWN	Alex Herrington	4/9/2020	649 N RALSTIN ST. MERIDIAN, ID 83642	
			TOLERANCES:	CHECKED			TITLE:	
			FRACTIONAL ± .125	ENG APPR.	Alex Herrington	4/9/2020	SR7	
		ANGLES ± 1°	MFG APPR.			SIZE		
		TWO PLACE DECIMAL ± .01	Q.A.			DWG. NO.		
		THREE PLACE DECIMAL ± .005	COMMENTS:			SR		
		FOUR PLACE DECIMAL ± .001				REV		
		INTERPRET GEOMETRIC TOLERANCING PER:				SCALE: 1:4		
		MATERIAL 28GA.				WEIGHT:		
		FINISH GALV.				SHEET 8 OF 11		
NEXT ASSY		USED ON						
APPLICATION			DO NOT SCALE DRAWING					

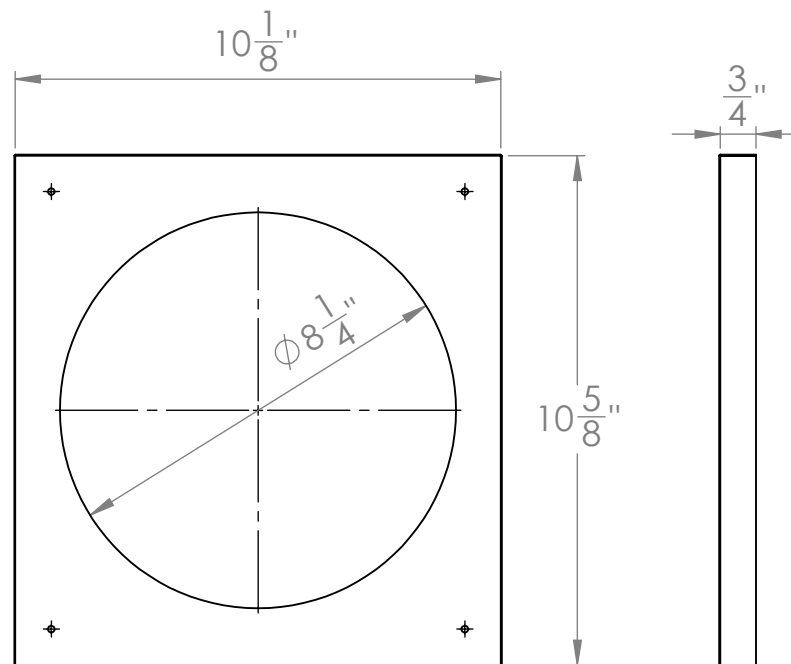
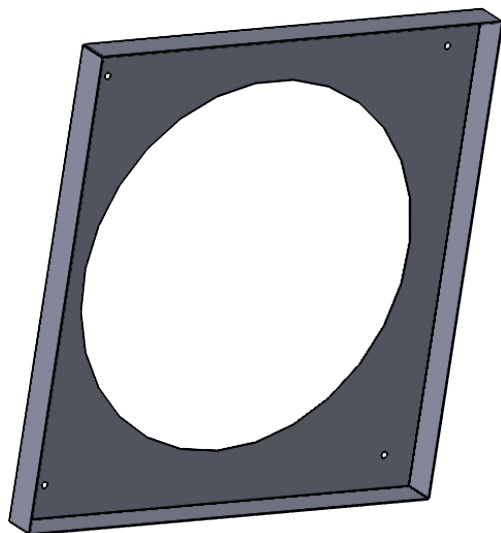
2

1

2

1


B



B

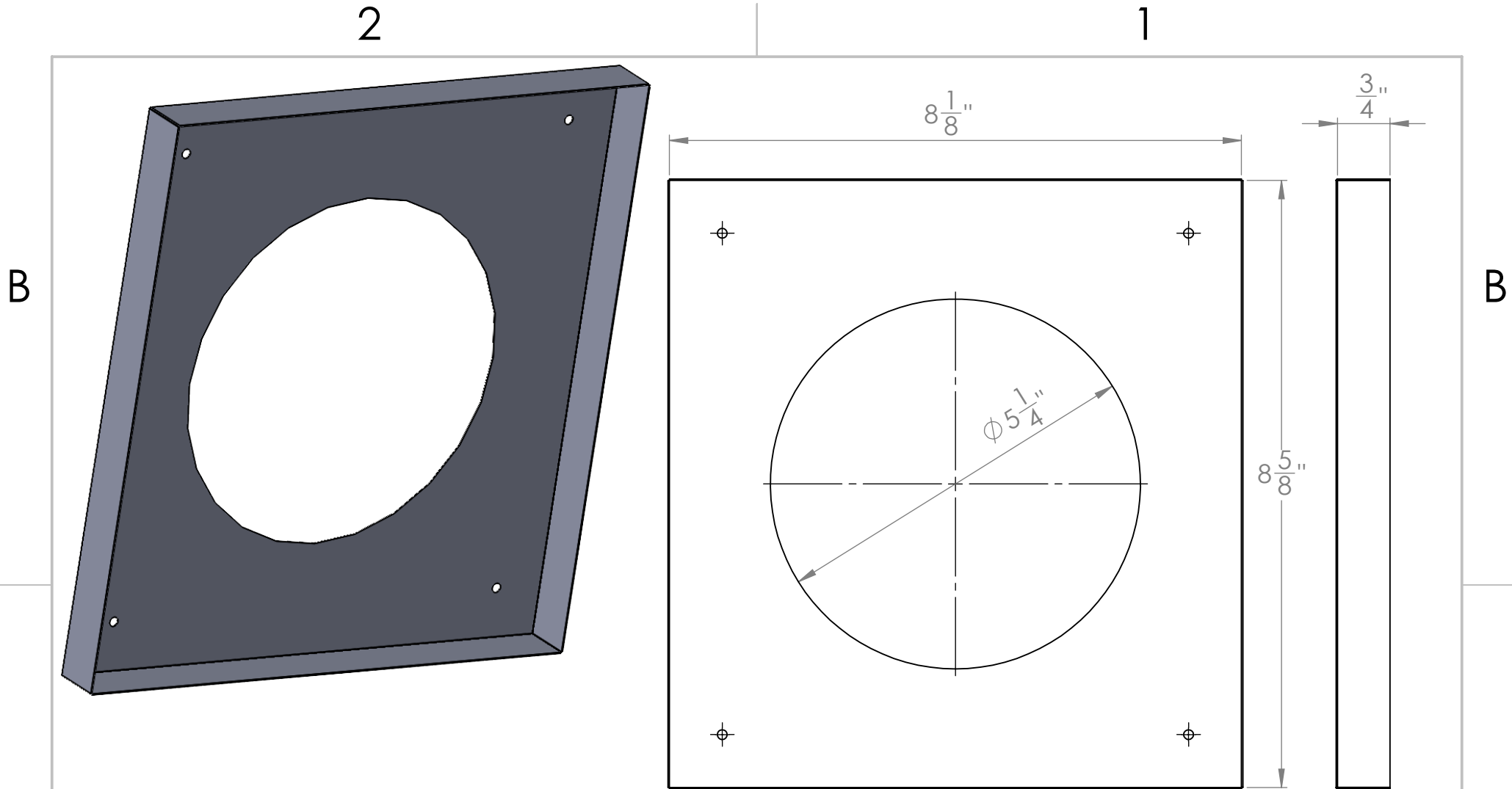
A

A

			UNLESS OTHERWISE SPECIFIED:		NAME	DATE	FAMCO	
			DIMENSIONS ARE IN INCHES	DRAWN	Alex Herrington	4/9/2020	649 N RALSTIN ST. MERIDIAN, ID 83642	
			TOLERANCES:	CHECKED			TITLE:	
			FRACTIONAL ± .125	ENG APPR.	Alex Herrington	4/9/2020	SR8	
			ANGLES ± 1°	MFG APPR.			SIZE	
		TWO PLACE DECIMAL ± .01	Q.A.			DWG. NO.		
		THREE PLACE DECIMAL ± .005	COMMENTS:				SR	
		FOUR PLACE DECIMAL ± .001					REV	
		INTERPRET GEOMETRIC TOLERANCING PER:					SCALE: 1:4	
		MATERIAL 28GA.					WEIGHT:	
		FINISH GALV.					SHEET 9 OF 11	
NEXT ASSY		USED ON						
APPLICATION			DO NOT SCALE DRAWING					


2

1



A

A

 <p>PROPRIETARY AND CONFIDENTIAL THE INFORMATION CONTAINED IN THIS DRAWING IS THE SOLE PROPERTY OF FAMCO. ANY REPRODUCTION IN PART OR AS A WHOLE WITHOUT THE WRITTEN PERMISSION OF FAMCO IS PROHIBITED.</p>			UNLESS OTHERWISE SPECIFIED: DIMENSIONS ARE IN INCHES TOLERANCES: FRACTIONAL $\pm .125$ ANGLES $\pm 1^\circ$ TWO PLACE DECIMAL $\pm .01$ THREE PLACE DECIMAL $\pm .005$ FOUR PLACE DECIMAL $\pm .001$	NAME	DATE	<p>FAMCO 649 N RALSTIN ST. MERIDIAN, ID 83642</p> <p>TITLE: SRWVEB5</p>	
			INTERPRET GEOMETRIC TOLERANCING PER:	DRAWN	Alex Herrington		4/9/2020
			MATERIAL 28GA.	CHECKED			
			FINISH GALV.	ENG APPR.	Alex Herrington		4/9/2020
				MFG APPR.			
	NEXT ASSY	USED ON	COMMENTS:	Q.A.			
	APPLICATION		DO NOT SCALE DRAWING			<p>SIZE A DWG. NO. SR REV</p> <p>SCALE: 1:2 WEIGHT: SHEET 10 OF 11</p>	

2

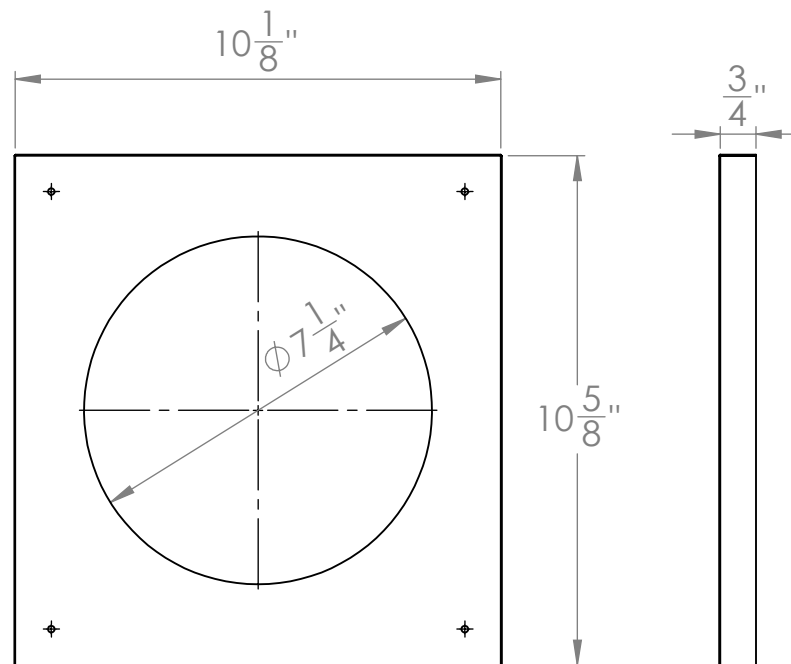
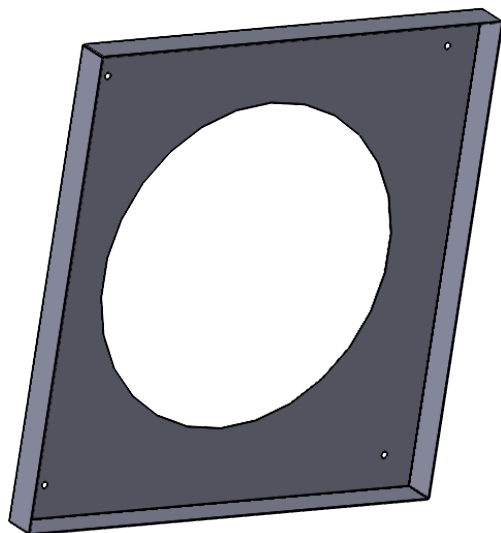
1

2

1


B

B



A

A

			UNLESS OTHERWISE SPECIFIED:		NAME	DATE	FAMCO			
			DIMENSIONS ARE IN INCHES		DRAWN	Alex Herrington	4/9/2020	649 N RALSTIN ST. MERIDIAN, ID 83642		
<p>PROPRIETARY AND CONFIDENTIAL</p> <p>THE INFORMATION CONTAINED IN THIS DRAWING IS THE SOLE PROPERTY OF FAMCO. ANY REPRODUCTION IN PART OR AS A WHOLE WITHOUT THE WRITTEN PERMISSION OF FAMCO IS PROHIBITED.</p>			TOLERANCES:		CHECKED		TITLE:			
			FRACTIONAL ± .125		ENG APPR.	Alex Herrington				4/9/2020
			ANGLES ± 1°		MFG APPR.			SIZE DWG. NO. REV		
			TWO PLACE DECIMAL ± .01		Q.A.					
			THREE PLACE DECIMAL ± .005		COMMENTS:				SCALE: 1:4 WEIGHT: SHEET 11 OF 11	
		FOUR PLACE DECIMAL ± .001								
		INTERPRET GEOMETRIC TOLERANCING PER:								
		MATERIAL	28GA.							
		FINISH	GALV.							
NEXT ASSY		USED ON								
APPLICATION			DO NOT SCALE DRAWING							

2

1