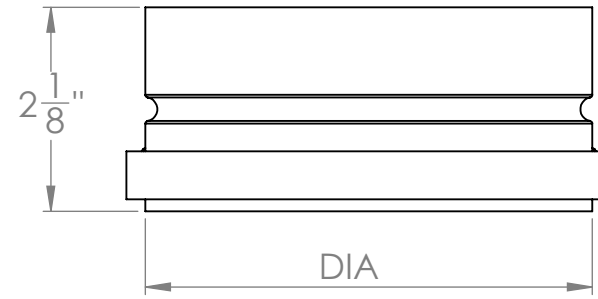
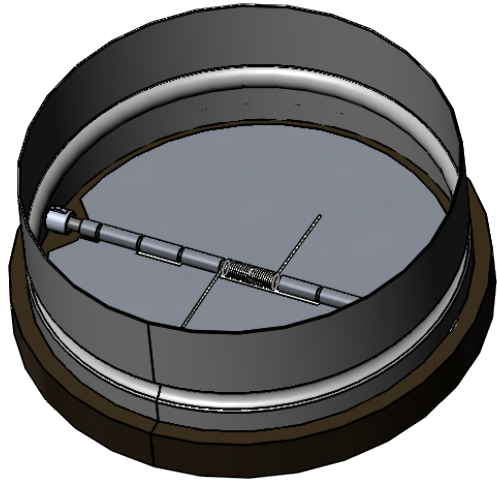


2

1



B

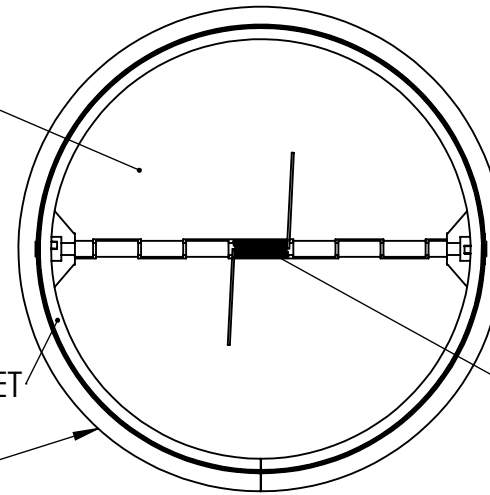
B

ALUMINUM  
DAMPER

FOAM GASKET

FOAM GASKET

SPRING



SIZE

DIA

4

 $3\frac{5}{8}$ 

5

 $4\frac{5}{8}$ 

6

 $5\frac{5}{8}$ 

7

 $6\frac{5}{8}$ 

8

 $7\frac{5}{8}$ 

10

 $9\frac{5}{8}$ 

A

A

2

1