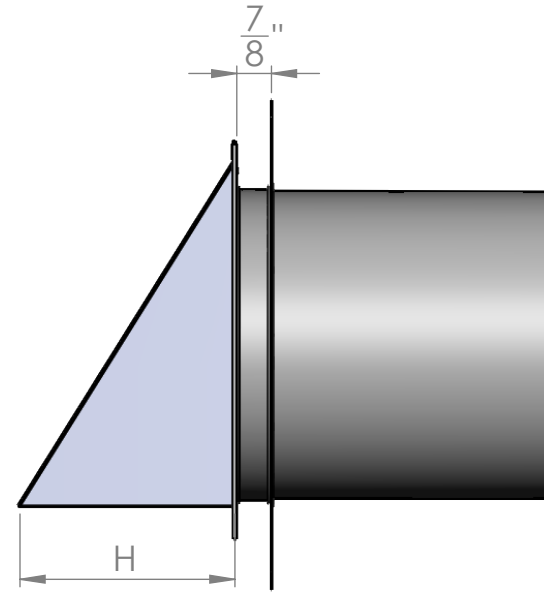
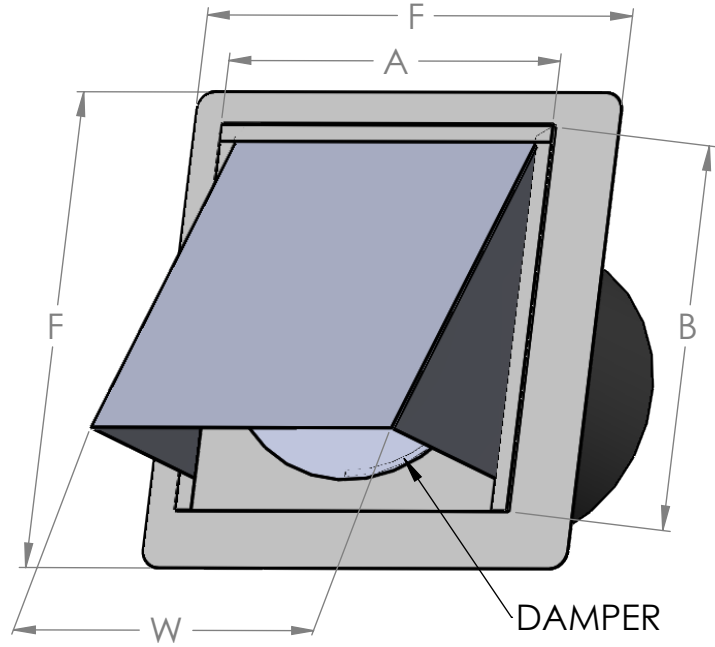


2

1

B



B

SIZE

F

H

A

B

W

4

 $8 \frac{3}{4} \times 8 \frac{3}{4}$ $3 \frac{1}{4}$

6

 $6 \frac{7}{16}$

5

5

 $9 \frac{3}{4} \times 9 \frac{3}{4}$ $3 \frac{3}{4}$

7

 $7 \frac{7}{16}$

6

6

 $10 \frac{3}{4} \times 10 \frac{3}{4}$ $4 \frac{7}{16}$

8

 $8 \frac{7}{16}$

7

7

 $11 \frac{3}{4} \times 11 \frac{3}{4}$ $4 \frac{15}{16}$

9

 $9 \frac{7}{16}$

8

8

 $12 \frac{3}{4} \times 12 \frac{3}{4}$ $5 \frac{9}{16}$

10

 $10 \frac{3}{8}$

9

10

 $14 \frac{3}{4} \times 14 \frac{3}{4}$ $6 \frac{7}{8}$

13

 $12 \frac{1}{2}$

12

A

2

1