



# BUTTERFLY DAMPER WITH GASKET, CRIMP & SPRING

MODEL #BDCRS

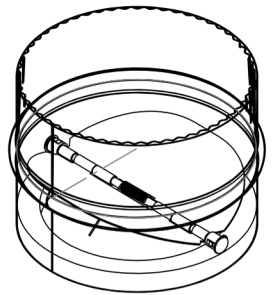
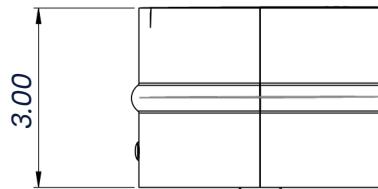
## FOR USE

- Used as a backdraft damper for heat exchangers, exhaust systems, solar heating systems and other intake or exhaust applications where a powered damper is not needed.



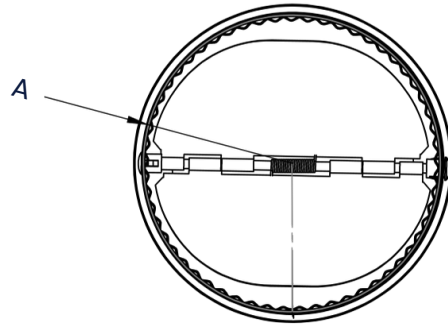
## MATERIALS

- Quality Constructed from 28 gauge Galvanized Steel
- Single blade damper made from aluminum
- Polyurethane foam



## FEATURES

- Spring force keeps damper closed when system is not in operation, preventing unwanted air infiltration
- Works in both the horizontal and vertical orientation
- Foam gasket seal ensures minimal air leakage while also reducing unwanted noise
- Not rated for use with a dryer



## BENEFITS

- Maintains indoor air quality and reduces drafts by keeping the HVAC system balanced, only allowing in fresh air when needed
- Crimped end allows the damper to easily fit in-line with existing ducting minimizing installation time

ITEM CODE	A
BDCRS4	4.0"
BDCRS5	5.0"
BDCRS6	6.0"
BDCRS7	7.0"
BDCRS8	8.0"
BDCRS10	10.0"