

# CHIMNEY CAPS



## VACUUM CAPS – VC\_\_

The Vacuum Cap works by re-directing the wind over the gores of the cap. This change of direction creates a partial vacuum, helping to remove exhaust gases and smoke at the outlet of the pipe.



- Positive draft.
- Clean and economical design.
- Easy installation with the adjustable collar and draw-bolt.
- Available in Galvanized, aluminum, stainless, and copper.

VACUUM CAPS				
SIZE	GALVANIZED	ALUMINUM	STAINLESS	COPPER
3	VC3	VC3A	VC3SS	VC3CU
4	VC4	VC4A	VC4SS	VC4CU
5	VC5	VC5A	VC5SS	VC5CU
6	VC6	VC6A	VC6SS	VC6CU
7	VC7	VC7A	VC7SS	VC7CU
8	VC8	VC8A	VC8SS	VC8CU
9	VC9	VC9A	VC9SS	VC9CU
10	VC10	VC10A	VC10SS	VC10CU
12	VC12	VC12A	VC12SS	VC12CU
14	VC14	VC14A	NA	NA
16	VC16	VC16A	NA	NA



**FRESH AIR MANUFACTURING CO.**  
*Technologies in Ventilation*

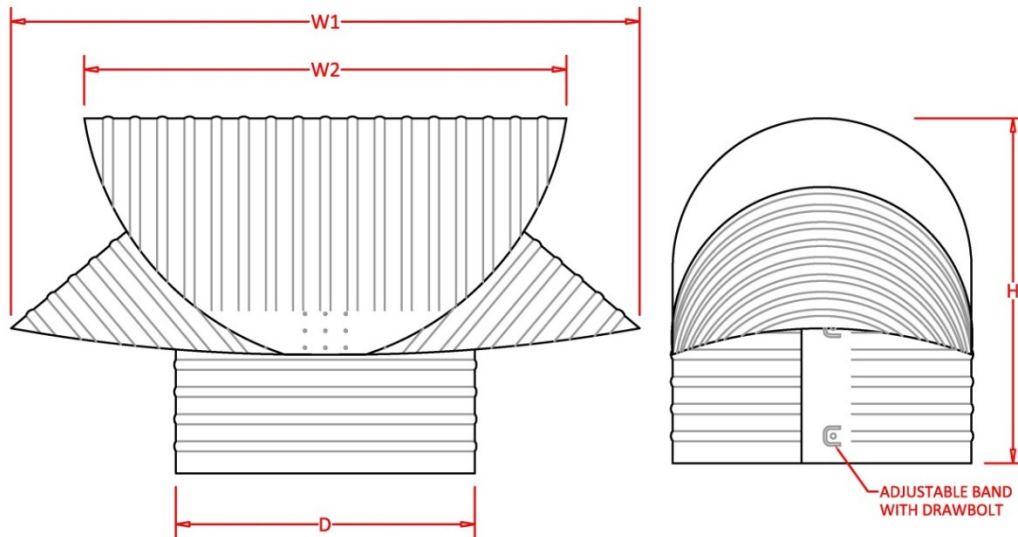
649 N. Ralstin St., Meridian, ID 83642 \* (208)884-8931 \* (800)-234-1903 \* FAX: (208)884-8943



**FAMCO**

# CHIMNEY CAPS

## VACUUM CAPS – VC\_\_



VACUUM CAPS				
Part #	D	H	W1	W2
VC3_	3	4 <sup>3</sup> / <sub>4</sub>	6	4 <sup>1</sup> / <sub>4</sub>
VC4_	4	6 <sup>1</sup> / <sub>4</sub>	7 <sup>1</sup> / <sub>2</sub>	5 <sup>1</sup> / <sub>2</sub>
VC5_	5	6 <sup>1</sup> / <sub>2</sub>	8 <sup>1</sup> / <sub>2</sub>	7
VC6_	6	8	11	8 <sup>1</sup> / <sub>2</sub>
VC7_	7	8 <sup>1</sup> / <sub>2</sub>	13	11
VC8_	8	9 <sup>1</sup> / <sub>4</sub>	14	11 <sup>3</sup> / <sub>4</sub>
VC9_	9	9 <sup>1</sup> / <sub>2</sub>	16	13 <sup>1</sup> / <sub>2</sub>
VC10_	10	11 <sup>3</sup> / <sub>4</sub>	19	16 <sup>1</sup> / <sub>2</sub>
VC12_	12	11 <sup>3</sup> / <sub>4</sub>	21 <sup>1</sup> / <sub>2</sub>	17 <sup>1</sup> / <sub>2</sub>
VC14_	14	14	31	27
VC16_	16	15	34	30



**FRESH AIR MANUFACTURING CO.**  
Technologies in Ventilation

649 N. Ralstin St., Meridian, ID 83642 \* (208)884-8931 \* (800)-234-1903 \* FAX: (208)884-8943